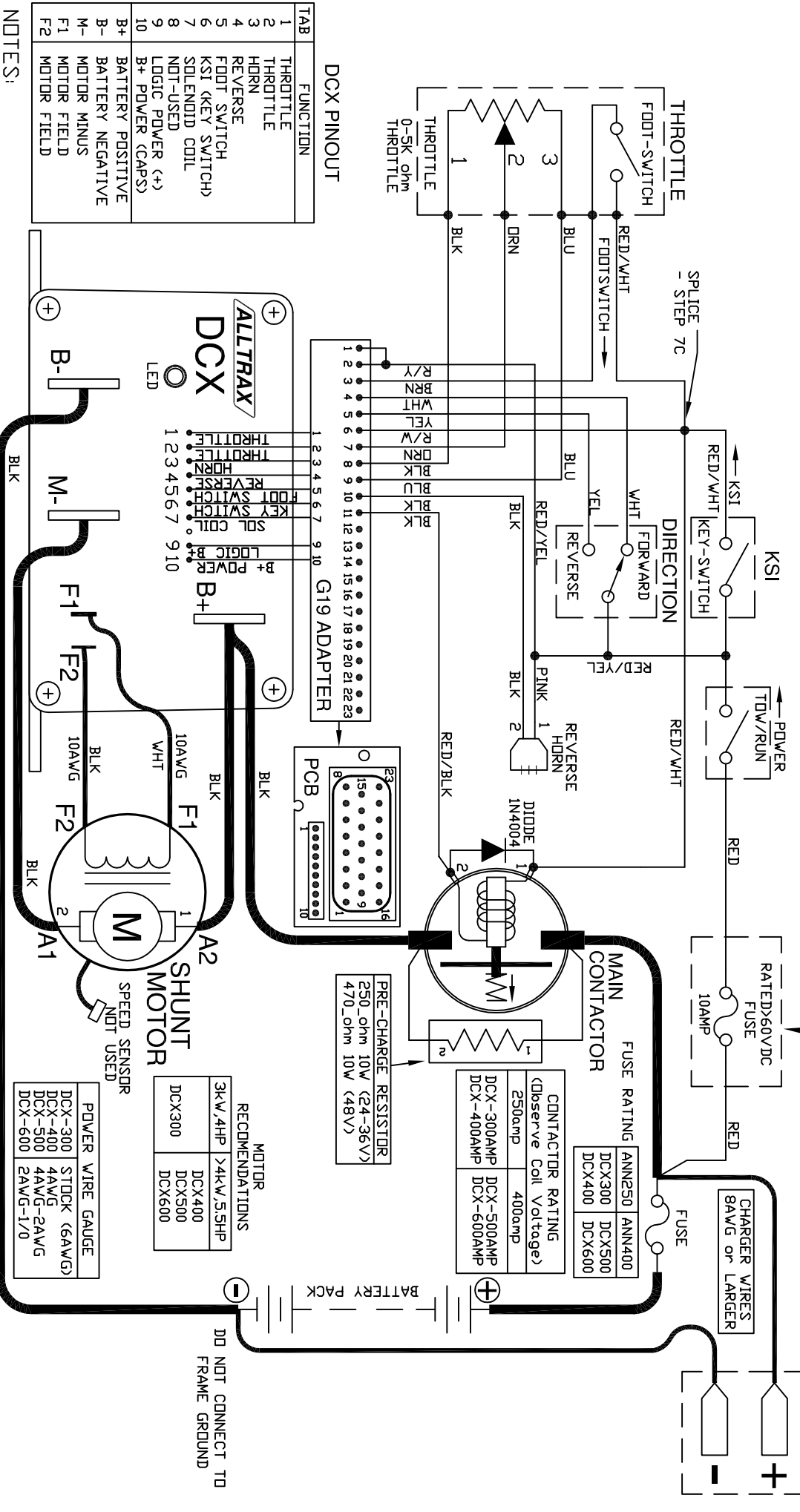


# DCX to YAMAHA G19 FOR SHUNT (SEPERATELY EXCITED) WOUND MOTORS (DCX products)

PART NO. 1/19/2007  
Doc100-052



- NOTES:**
- \* FUSES REQUIRED FOR ALL INSTALLATIONS
  - \* DIODE REQUIRED ACROSS COILS / RELAYS
  - \* TOW/RUN SWITCH PREVENTS REGEN WHILE TOWING
  - > ASSUMES FOOTSWITCH IS OPEN WHEN THROTTLE OFF
  - > ALLTRAX RESERVES THE RIGHT TO CHANGE DOCUMENTATION WITHOUT NOTICE
  - > ALLTRAX MAKES NO WARRANTY AS TO THE ACCURACY, SUFFICIENCY, OR SUITABILITY OF ANY TECHNICAL OR OTHER INFORMATION PROVIDED
  - > SEE OPERATORS MANUAL FOR MORE INFORMATION

REVISIONS			DWG SCALE: NTS		
REV.	ECO.	DATE	APVD	DRAWN	T.Thorne
A	010407	010407	TT	ENGR	D.Crockett
B	013108	103007	RC		
C	102208	123008	RC		

THIS TECHNICAL DATA IS PROPRIETARY AND IS NOT TO BE REPRODUCED, RELEASED, OR DISCLOSED IN WHOLE OR IN PART WITHOUT THE WRITTEN PERMISSION OF ALLTRAX INC.

TITLE		1111 Cheney Creek Rd. Grants Pass, OR 97527 PHONE:(541) 476-3565	
DCX to Yamaha G19 w/Sep-Ex			
SIZE	DOCUMENT NO.	REV.	
A	S	Doc100-052	C

DO NOT SCALE DRAWING

FILE: \_DWG-DCX-Yamaha-G19-wire-do SHEET 1of1